



NEO SERIES

WOOD BURNING STOVES
FOR HEATING SMALL TO LARGE SPACES



NEO 1.6 WOOD STOVE
NEO 2.5 WOOD STOVE

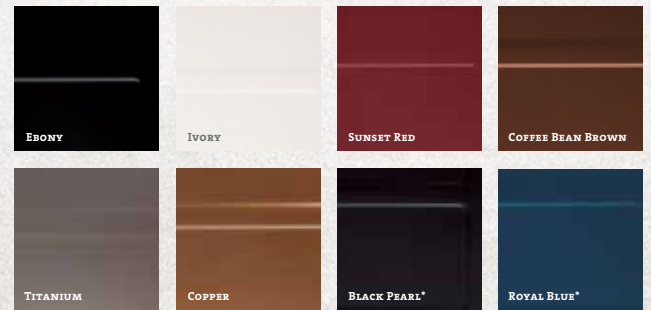
NEO 1.6

FREESTANDING STOVE

FOR SMALL – MEDIUM SPACES



PORCELAIN OPTIONS



* Premium Colours

Heat Output Cord Wood

70,000 BTU

40,000 BTU EPA Test Fuel

EFFICIENCY (LHV)	81.5%
EMISSIONS	3.9 GM/HR.
LOG SIZE (MAX)	18 INCHES
FIREBOX SIZE	1.6 CU.FT.
GLASS VIEWING AREA	131 SQ.IN.
WEIGHT	337 LB.

The Neo 1.6, and its larger cousin the Neo 2.5, are true heating machines with Pacific Energy's solid steel construction, floating firebox and stainless steel baffle. Their long list of standard features include our easy-to-light boost air system, one lever air control, air tight ash removal, proprietary airwash technology to keep the door glass clean and clear, and EBT₂ for extended burn times. Installation is simplified: the units can accept indoor or outdoor combustion air and leveling legs allow easy installation on uneven surfaces. Remove the decorative cast iron trivet, and you now have a convenient cooking surface.

STANDARD FEATURES

- Reliable, durable non-catalytic technology
- Air wash system for super clean ceramic glass
- Easy to use ash disposal system
- High-tech multi-port combustion air injection system
- Inside and outside combustion air capable
- Floating firebox for extended stove life
- Rich Metallic Black finish
- Heavy plate-steel top
- Porcelain Enamel finish
- 304 Stainless Steel baffle, insulation cover, rails and flame shield
- Boost air for easy lighting
- Extended Burn Technology (EBT₂)
- Integrated heat exchanger
- First mid size PE fireboxes with East West Orientation
- Leveling Legs
- Removable Cast Iron Trivet
- Mobile Home Approved

NEO 2.5

FREESTANDING STOVE

FOR MEDIUM – LARGE SPACES



DESIGN OPTIONS

Side panels in Metallic Black or a choice of eight Porcelain Enamel colors

PERFORMANCE OPTIONS

125 cfm temperature actuated variable speed blower

Heat Output Cord Wood

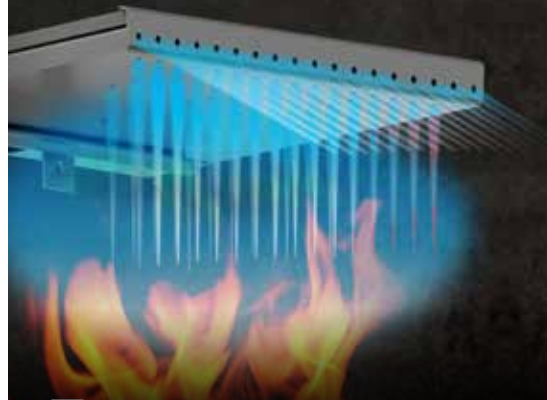
85,000 BTU

45,000 BTU EPA Test Fuel

EFFICIENCY (LHV)	81%
EMISSIONS	TBD
LOG SIZE (MAX)	18 INCHES
FIREBOX SIZE	2.5 CU.FT.
GLASS VIEWING AREA	146 SQ.IN.
WEIGHT	TBD

PACIFIC ENERGY

FEATURED TECHNOLOGIES



BAFFLE SYSTEM

Pacific Energy is a recognized industry leader in “clean burn” technology, as exemplified in our unique high capacity baffle system for preheating secondary combustion air for re-burning. By burning the combustible elements in the air, we improve our stoves’ environmental performance while significantly reducing the amount of wood that is consumed.



FLOATING FIREBOX

Our floating firebox system is legendary in the industry. Solidly designed with steel brick-support rails, it allows key parts to freely expand and contract, which reduces metal fatigue and adds years of life to the entire fireplace. The steel baffle (part of the clean-burning secondary combustion system) and the flame shield (which protects the stove top from intense heat) are all part of the floating firebox system.



EBT2 EXTENDED BURN TECHNOLOGY

Our second-generation Extended Burn Technology, or EBT2, precisely regulates secondary airflow based on vacuum created by the chimney for a longer, cleaner, more economical burn. This automatically adjusts the secondary combustion system, for a cleaner, more efficient burn and extended burn time.



KNIFE EDGE DOOR

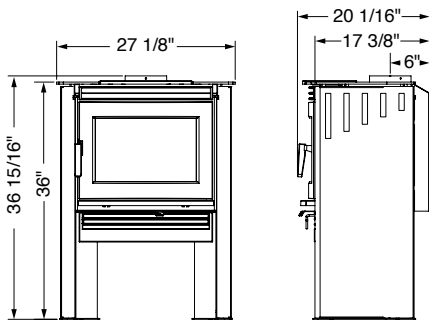
A formed and welded knife edge opening creates a superior air tight seal to the door gasket while strengthening the stove face. This is a more labor intensive design but our experience has proven this is the best way to manufacture a fireplace.



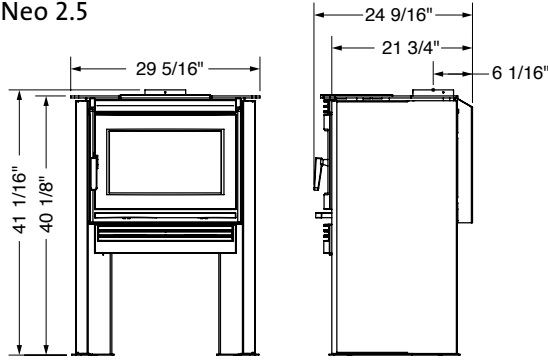
FOR MORE INFORMATION VISIT

www.pacificenergy.net

Neo 1.6

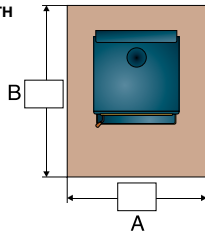


Neo 2.5

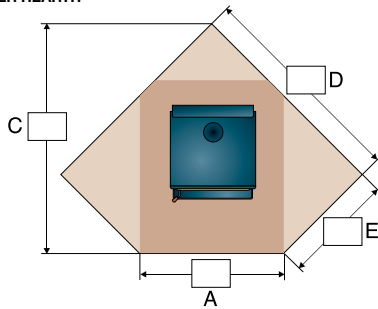


FLOOR PROTECTOR DIMENSIONS

STRAIGHT HEARTH



CORNER HEARTH



CANADA

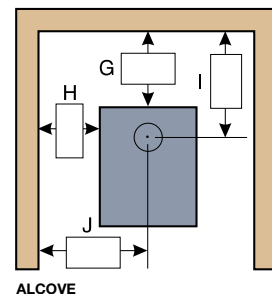
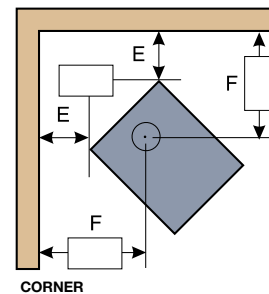
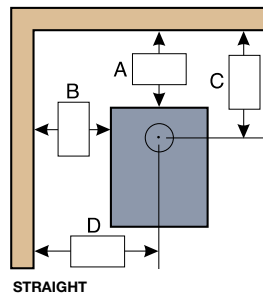
	NEO 1.6					NEO 2.5				
	A	B	C	D	E	A	B	C	D	E
Minimum (Not extended)	43 1/8"	45 5/8"	45 5/8"	37 1/2"	27 1/8"					
Residential, single wall, vertical connector	43 1/8"	49 5/8"	59 7/8"	57 5/8"	27 1/8"					
Residential, single wall, horizontal connector	43 1/8"	49 5/8"	59 7/8"	57 5/8"	27 1/8"					
Residential, double wall, vertical connector	43 1/8"	42 5/8"	52 3/4"	52 1/2"	22"					
Residential, double wall, horizontal connector	43 1/8"	42 5/8"	52 3/4"	52 1/2"	22"					
Alcove, double wall, connector	43 1/8"	42 5/8"	-	-	-					
Mobile home	43 1/8"	42 5/8"	52 3/4"	52 1/2"	22"					

USA

	NEO 1.6					NEO 2.5				
	A	B	C	D	E	A	B	C	D	E
Minimum (Not extended)	33 3/8"	32 3/4"	32 3/4"	19 3/8"	27 1/8"					
Residential, single wall, vertical connector	33 3/8"	44 3/4"	55"	50 3/4"	27 1/8"					
Residential, single wall, horizontal connector	33 3/8"	44 3/4"	55"	50 3/4"	27 1/8"					
Residential, double wall, vertical connector	33 3/8"	37 3/4"	48"	45 3/4"	22 1/8"					
Residential, double wall, horizontal connector	33 3/8"	37 3/4"	48"	45 3/4"	22 1/8"					
Alcove, double wall, connector	33 3/8"	37 3/4"	-	-	-					
Mobile home	33 3/8"	37 3/4"	48"	45 3/4"	22 1/8"					

CLEARANCES TO COMBUSTIBLES

		From top of stove to ceiling	STRAIGHT (VERTICAL CONNECTOR)				STRAIGHT (HORIZONTAL CONNECTOR)				CORNER		ALCOVE			
			A	B	C	D	A	B	C	D	E	F	G	H	I	J
RESIDENTIAL SINGLE WALL CONNECTOR	NEO 1.6	50"	12"	12"	18"	25 1/2"	12"	12"	18"	25 1/2"	8"	20"	N/A	N/A	N/A	N/A
	NEO 2.5															
RESIDENTIAL DOUBLE WALL CONNECTOR	NEO 1.6	50"	5"	8"	11"	21 1/2"	5"	8"	11"	21 1/2"	3"	15"	5"	8"	11"	21 1/2"
	NEO 2.5															
MOBILE HOME DOUBLE WALL CONNECTOR	NEO 1.6	50"	5"	8"	11"	21 1/2"	5"	8"	11"	21 1/2"	3"	15"	5"	8"	11"	21 1/2"
	NEO 2.5															



pacificenergy.net

For reference only. Installations should be based on manuals and rating labels.